

**UNIVERSAL INSTITUTE OF TECHNOLOGY  
SESSIONAL TEST – 3<sup>rd</sup>  
BRANCH- ( MECHANICAL ENGG. 3<sup>rd</sup> SEM. )  
MCHINE DRAWING**

**TIME-1.30HRS  
M.M.-20**

**Attempt any one question . all question carry equal marks.**

Q 1. assemble the various parts of drilling jig. Show the fig. 1

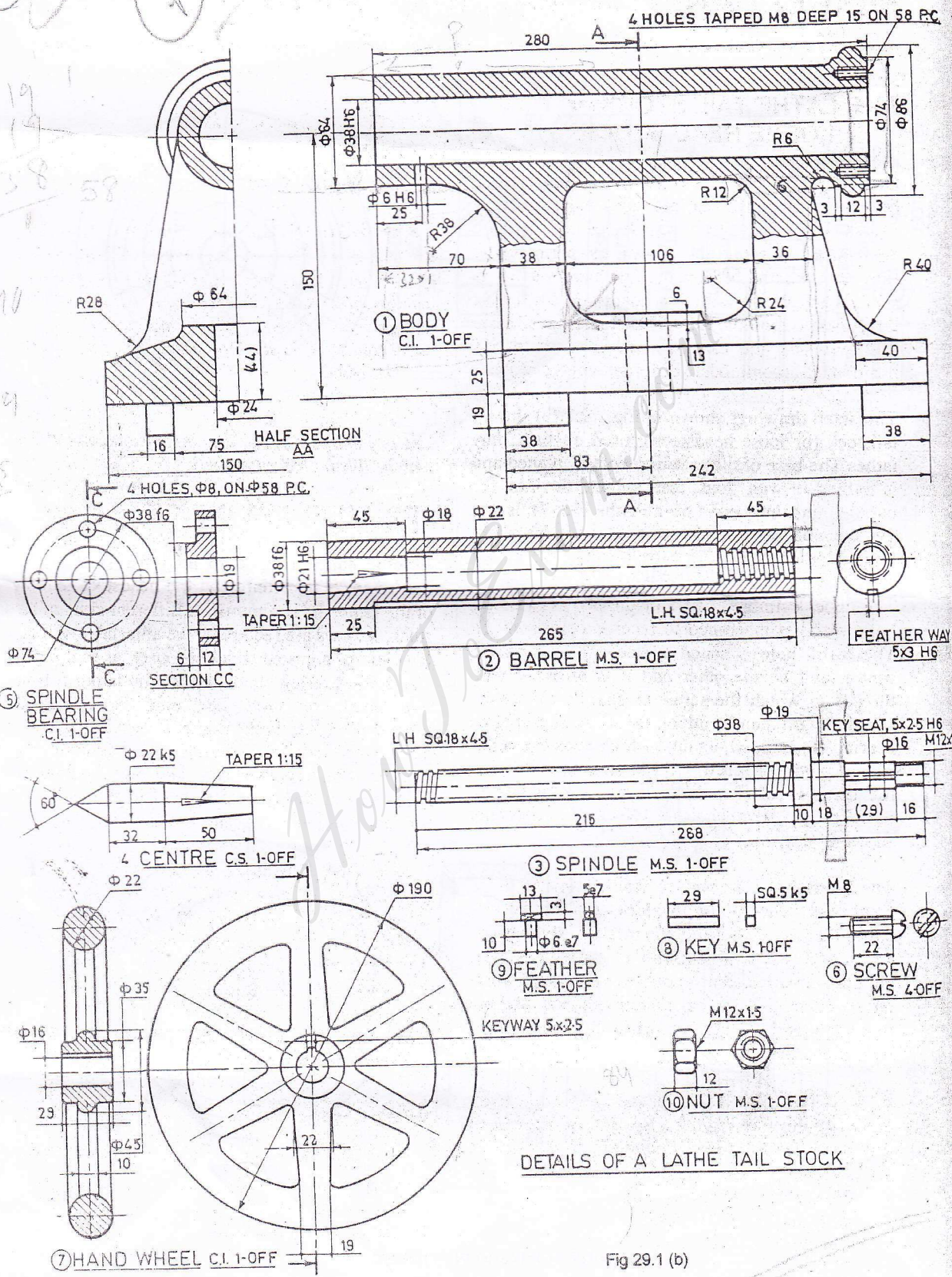
Q 2. . assemble the various parts of lathe tail stock . Show the fig. 2

*HowToExam.com*

MACHINE DRAWING 664

4.61  
64  
-38  
26  
8.5  
13  
18

190  
38  
58  
79  
35



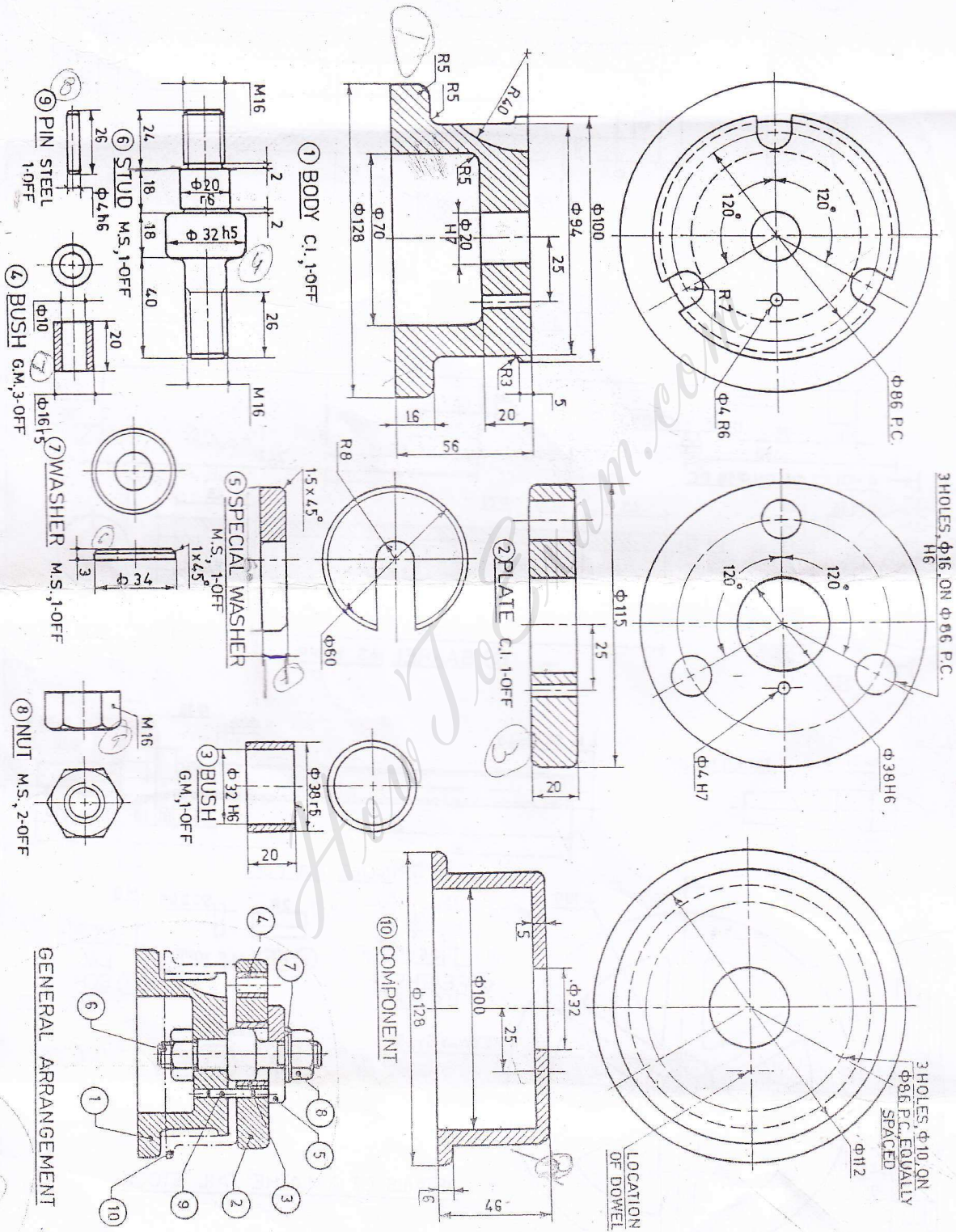


Fig. 29. 18 General arrangement and details of a Drilling Jig