

DEPARTMENT OF MECHANICAL ENGINEERING

BE (Mechanical Engg.) (2nd Year)

Machine Drawing (ME-005) (Final Exam), 8th Dec, 2006

Max Marks: 60
Time: 3 hr

Instructor: Jaswinder Saini

*Note: No spare sheet will be provided.
Follow first angle projection
Assume the missing dimensions suitably.*

1. (a) Draw symbols giving illustrations for the following types of joints: (3)
 - Fillet weld.
 - Single – V butt weld with broad root face.
 - Single-bevel butt weld.
- (b) Draw the free hand proportionate sketch of : (3)
 - Castle nut.
 - Hook bolt.
 - Swan nut.
2. Figure 1 shows the details of universal coupling. Assemble the given parts and draw the following views of the assembly. (20)
 - Front view (full section).
 - Right hand side view.

OR

Figure 2 shows the details of the spigot and socket joint. Assemble the parts and draw the following views of the assembly.

- Front view (upper half in section).
 - Left hand side view.
3. Figure 3 shows the details of a machine vice. Assemble the parts and draw the following views of the assembly. (34)
 - Front view (Full section).
 - Top view.

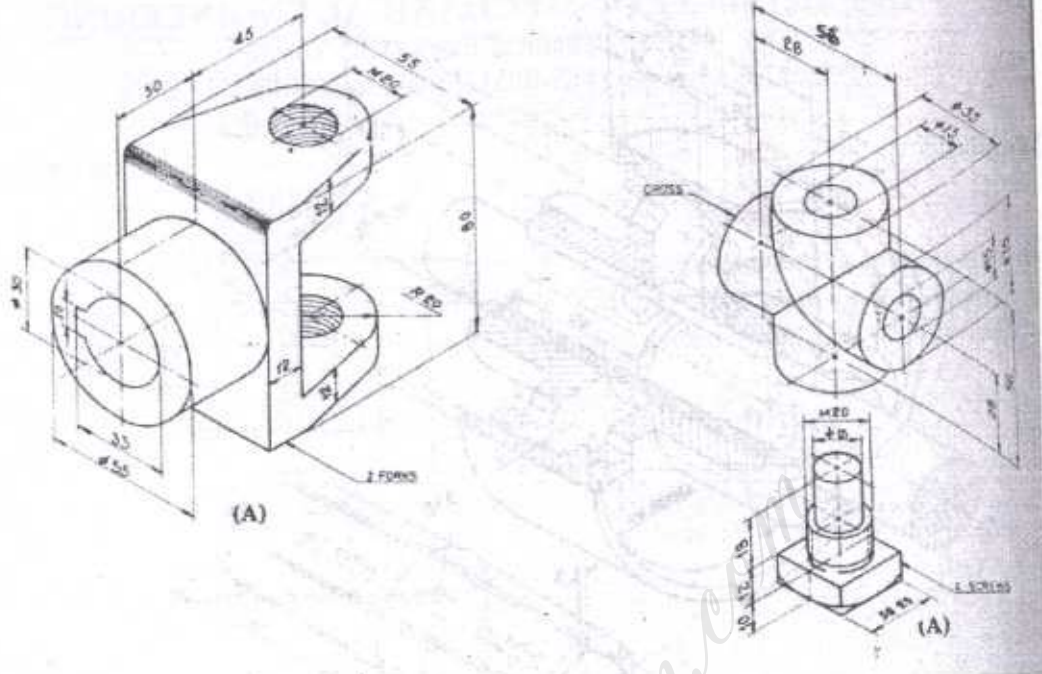


Figure 1

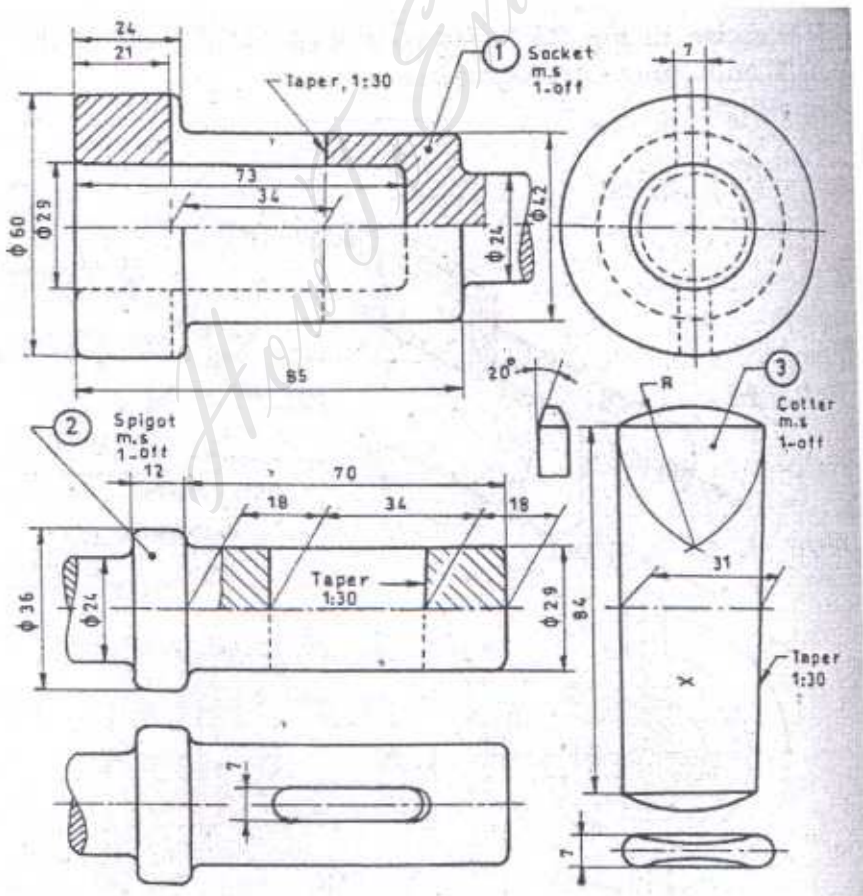


Figure 2

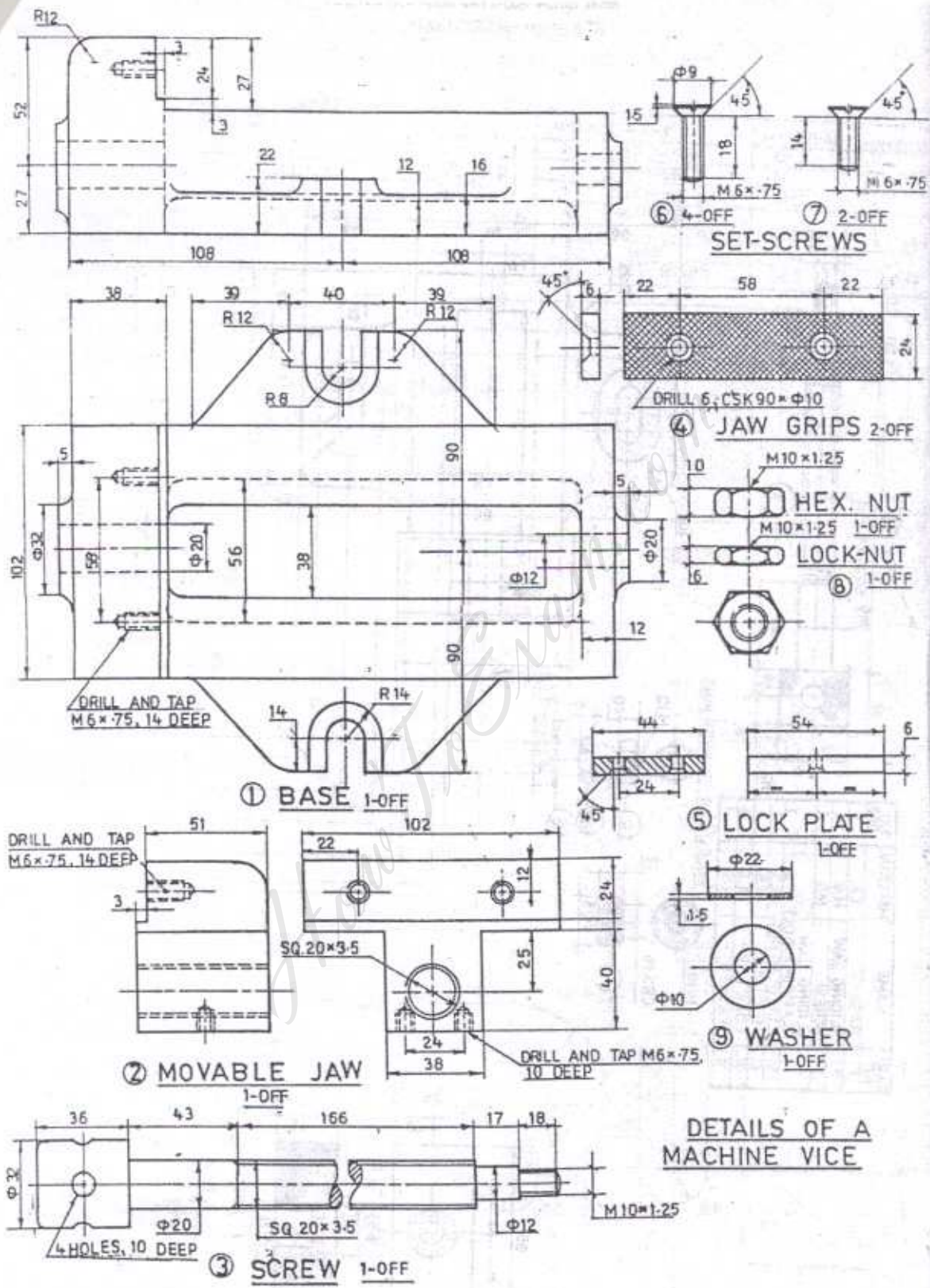


Figure 3