

Figure 4 (b)

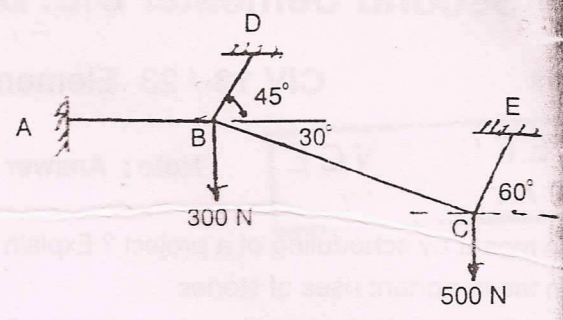


Figure 4 (c)

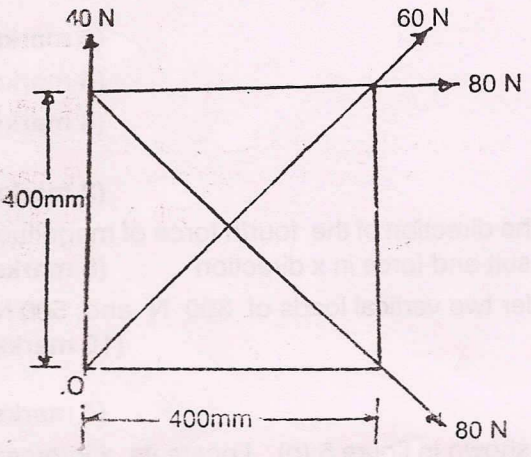


Figure 5 (b)

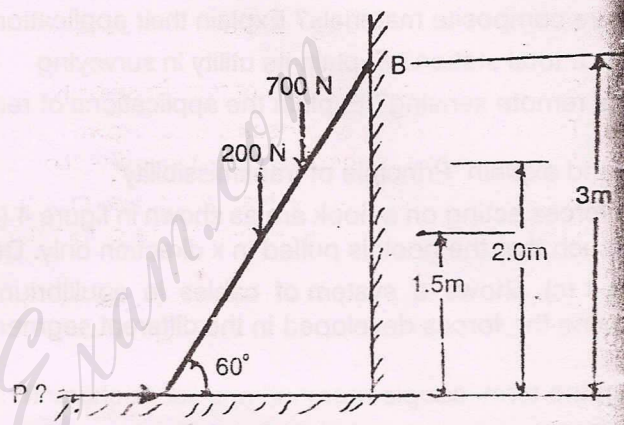


Figure 5 (c)

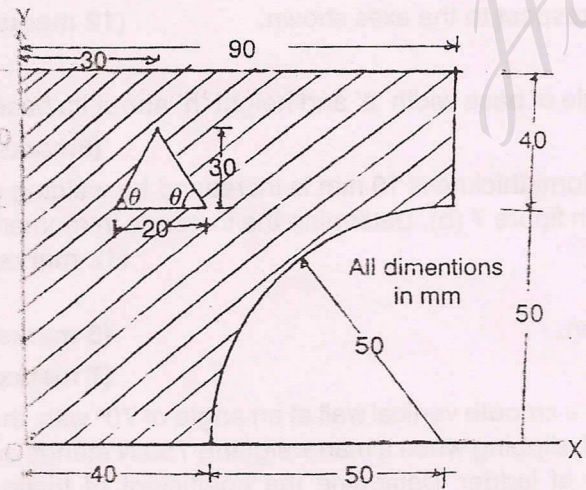


Figure 6 (b)

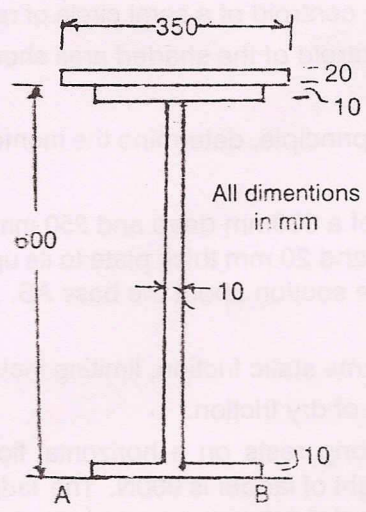


Figure 7 (b)

3 hours  
REI  
A.

- a) Briefly e
- b) Different (i) RAM
- c) Describ What ar

- a) Mention
- b) Explain
- c) Define t (i) WW

- a) Explain
- b) Give th inside c
- c) What d

- a) Assum
- b) Explai
- c) Pick th -4388
- d) Write c intege

- a) What
- b) With th The fo i) a-v) ...
- c) If stat type I

- a) Give Give
- b) a and C[0] C[1] C[8] C[9]

- a) Whe
- t) Writ

- a) Exp
- b) if P P= P= P= P=

- c) Wh